

LIGHTWAY 6 - RECESSED WITH TRIM

Product Installation guide

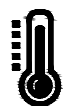
IP20



For Indoor use only



DON'T TOUCH THE LED!



25°C

RECOMMENDED ROOM TEMPERATURE



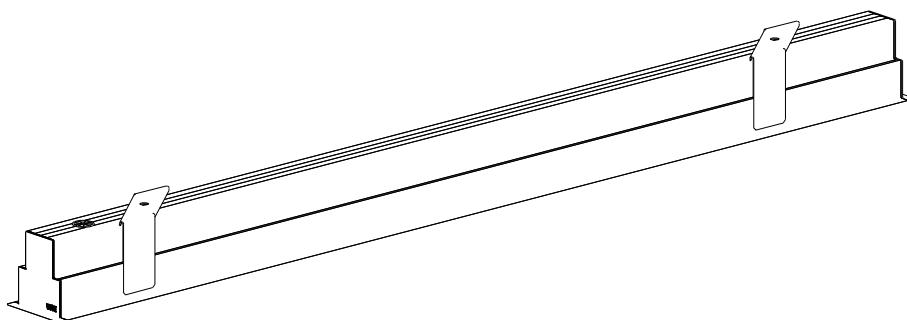
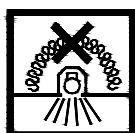
MAKE SURE THE POWER IS OFF DURING INSTALLATION



120-277V~
50/60 Hz



RISK OF FIRE AND ELECTRICAL SHOCK



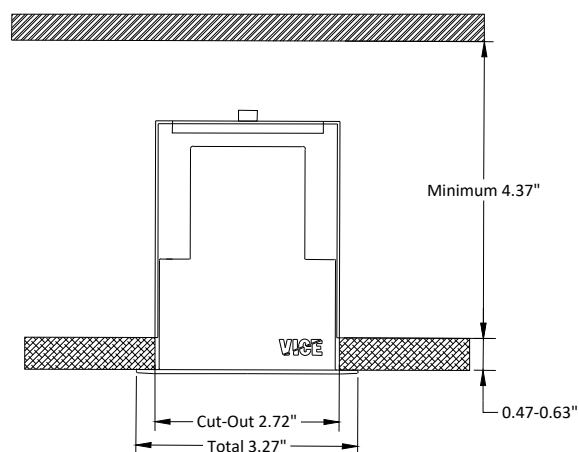
INSTALLATION INSTRUCTIONS

DISCLAIMER

Please read all instructions before beginning installation:

1. Turn off electrical power before starting the installation of the light fixture.
2. The feeding voltage must not exceed the specified fixture voltage.
3. This product must be installed by an eligible electrician.
4. Make sure the luminaire is mounted to a secure structure. Failure to mount the fixture correctly could result in serious injury.
5. The product must be earthed in a reliable way.
6. The light source of this luminaire shall only be replaced by the manufacturer, his service agent or a similar qualified person.
7. Wear gloves and safety glasses at all times when removing the luminaire from carton, installing, servicing or performing maintenance
8. Do not install damaged product! This luminaire is properly packed to avoid being damaged during transit. Inspect to confirm before installation. Any damaged or broken part during or after assembly should be replaced.
9. Unauthorized repairs or modifications will void warranty.

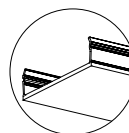
Section View:



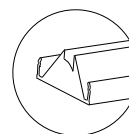
Dimensions in inch

Applicable optics:

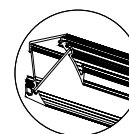
1. Opal & Prismatic



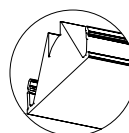
2. Asymmetric Lens



4. Kick Reflector



3. Elliptical Lens



VICE

projects@vicelighting.com - www.vicelighting.com

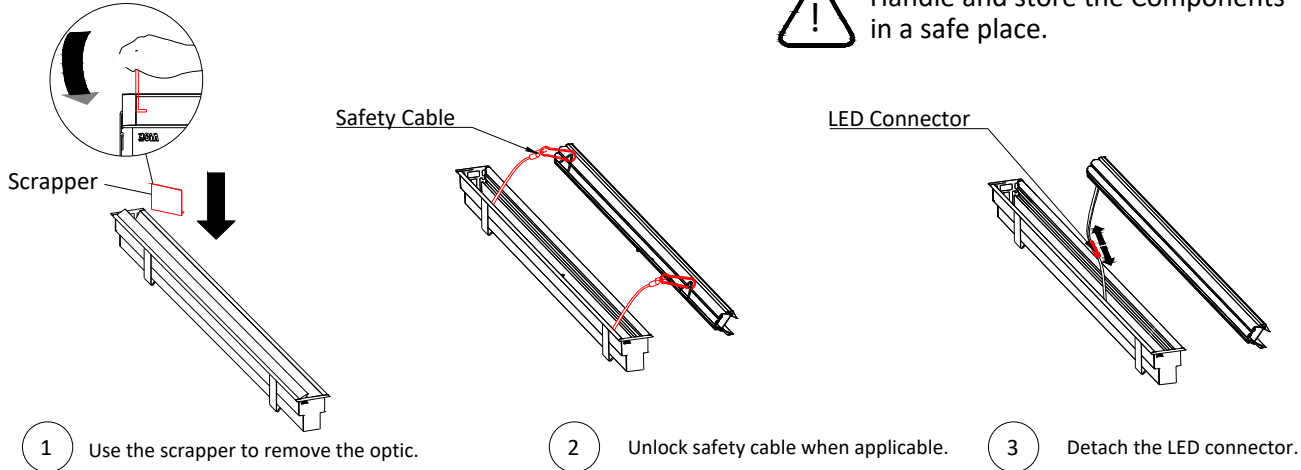
LIGHTWAY 6 - RECESSED WITH TRIM

Product Installation guide

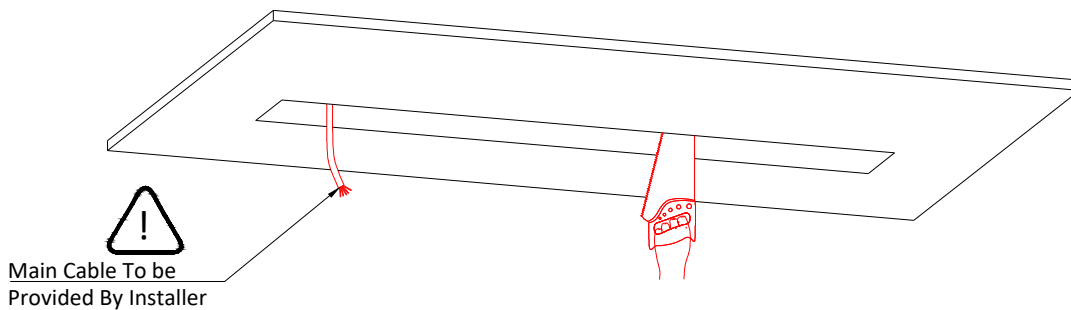
Dismantling the fixture



Handle and store the Components in a safe place.

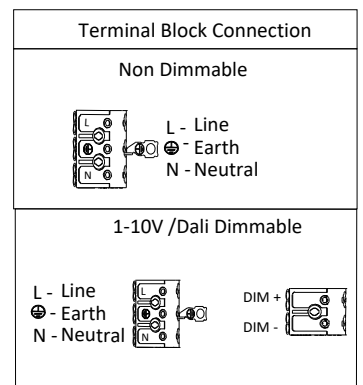
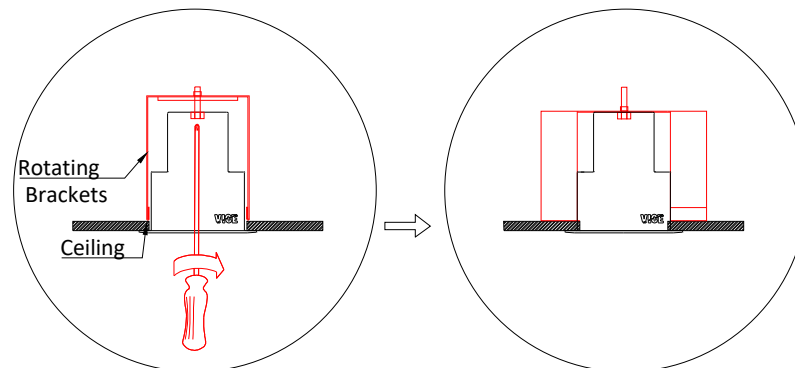
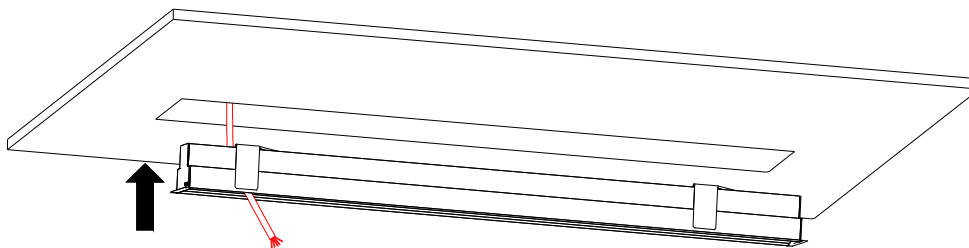


Preparing the area



- 4
 - Cut the Ceiling in a rectangular shape respecting the Cut-Out Dimensions(L x 2.72 inch).
 - Make sure to have access to the Mains cable.

Fixing the Luminaire



- 5
 - Insert the mains cable
 - Lift the profile to the ceiling.
 - Rotate the brackets using a screw driver to fix the luminaire.
 - Connect the wires to the terminal block as shown.

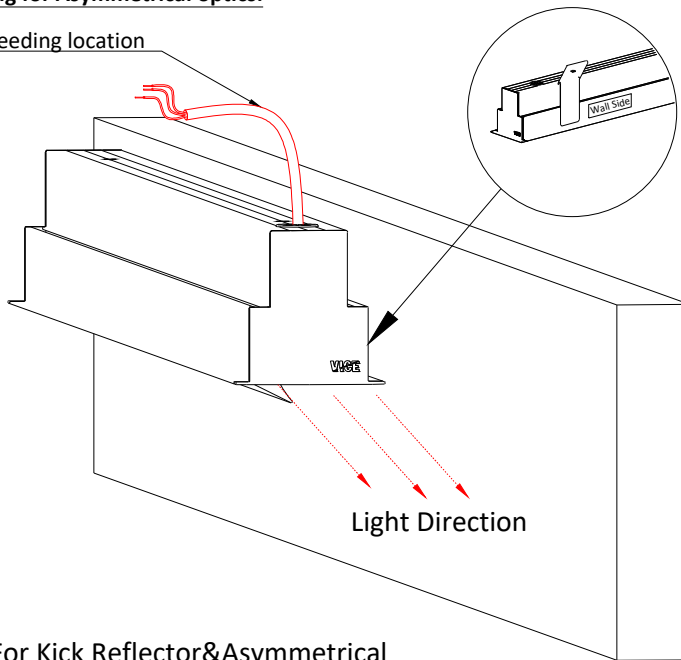
LIGHTWAY 6 - RECESSED WITH TRIM

Product Installation guide

Annexe A

Power feeding for Asymmetrical optics:

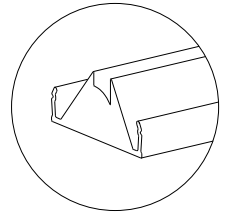
Power feeding location



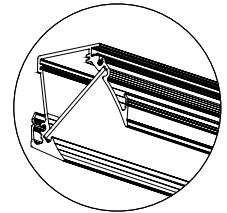
For Kick Reflector & Asymmetrical Lens :Label "Wall Side" should be facing the wall

Asymmetrical optics:

1. Asymmetric Lens



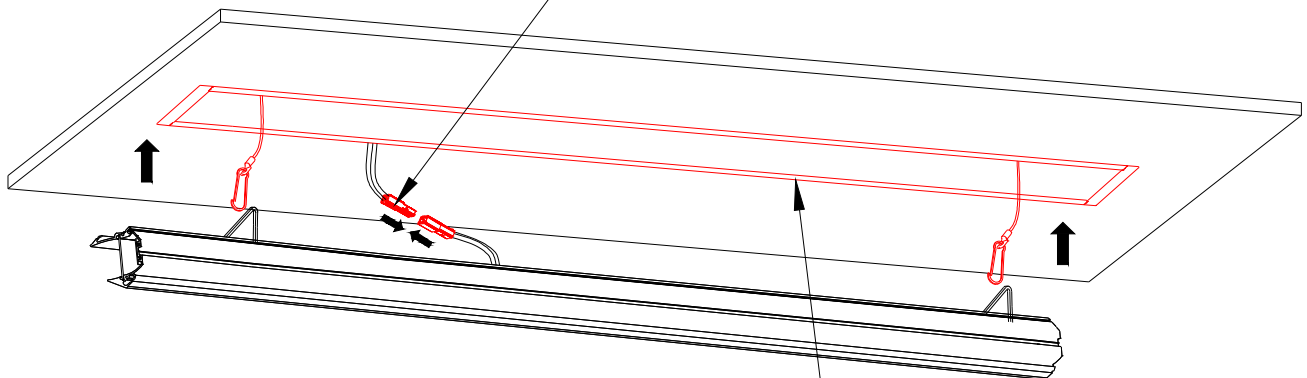
2. Kick Reflector



Assembling the fixture



Join the matching Connectors together.



Do Not damage the wires :
Make sure that the wires are well arranged inside the fixture when clipping the optic

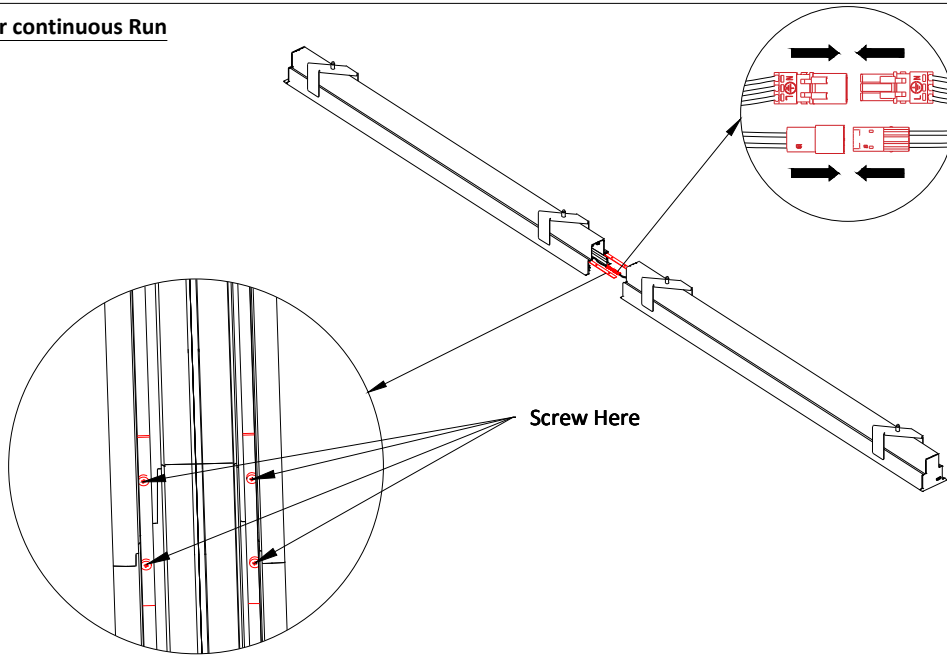
6

- Lock in the Safety cable (when required)
- Join the connectors
- Clip in the Optic/Diffuser in its place.

LIGHTWAY 6 - RECESSED WITH TRIM

Product Installation guide

For continuous Run



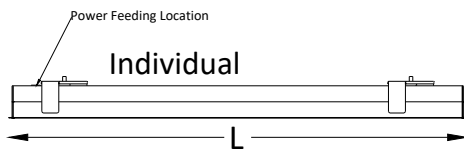
A

- Fix the first fixture in its position.
- Install and fix the second fixture next to the first one.
- Slide the alignment bracket between the two fixtures and screws it.

B

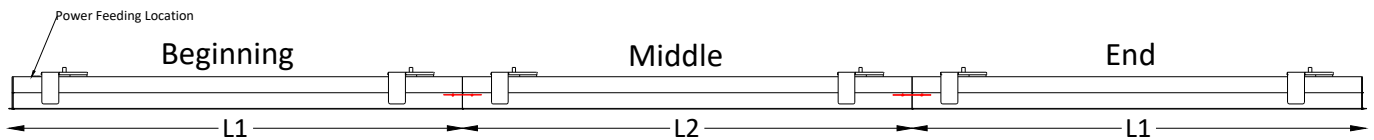
- Join the electrical /control connectors together.

Annexe B



*Code Example:

- L6 I RW ----- | 48 I (Individual)
- L6 I RW ----- | 48 B (Beginning)
- L6 I RW ----- | 48 M (Middle)
- L6 I RW ----- | 48 E (End)



Length Code*	L (inch) (Two End Caps)	L1 (inch) (One End Cap)	L2 (inch) (No End Cap)
24	24.09"	23.68"	23.27"
28	27.95"	27.54"	27.13"
31	31.81"	31.40"	30.98"
36	35.67"	35.26"	34.84"
39	39.53"	39.11"	38.70"
43	43.39"	42.97"	42.56"
48	47.24"	46.83"	46.42"
51	51.10"	50.69"	50.28"
55	54.96"	54.55"	54.13"
60	58.82"	58.41"	57.99"
62	62.68"	62.26"	61.85"
66	66.54"	66.12"	65.71"
70	70.39"	69.98"	69.57"
74	74.25"	73.84"	73.43"
78	78.11"	77.70"	77.28"
82	81.97"	81.56"	81.14"
85	85.83"	85.41"	85.00"
89	89.69"	89.27"	88.86"
93	93.54"	93.13"	92.72"
97	97.40"	96.99"	96.57"
101	101.26"	100.85"	100.43"
105	105.12"	104.70"	104.29"
109	108.98"	108.56"	108.15"
112	112.83"	112.42"	112.01"
116	116.69"	116.28"	115.87"

LED Load (W/ft)	Maximum running length (ft)
3.05	42.67
4.6	28.95
6.7	18.29
9.1	13.72
12.8	9.14



Make sure not to exceed the maximum allowed running length at continuous run.

*Code Example: L6 I RW ----- | **48** -